



The GPR series of manual slicers are light duty and belt-driven. Available in a range of sizes, they are ideal for caterers, restaurants, small/medium kitchens and delicatessens.



Light Duty; Belt-Driven; Manual Operation

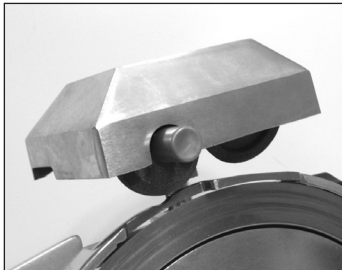
Model
GPR
Belt Driven Slicers

Model GPR Belt Driven Slicers

The Model GPR series of belt-driven food slicers have been designed for precision slicing. Perfect for small cafés, restaurants and convenience stores.

Features:

- Manufactured in anodised aluminium and stainless steel to resist the corrosive effects of salts and acids.
- Removable carriage for easy cleaning.
- Micrometric adjusting knob allows for cutting of slices up to 15mm.
- Self contained inbuilt and shielded sharpening device.
- Forced ventilation to motor.
- Belt driven blade.
- Blade ring guard.
- Low voltage switching.
- Safety guard.
- Extended LSD handle.
- Mechanical safety interlock to prevent the blade being exposed when the carriage is removed for cleaning. (Model 300 only).



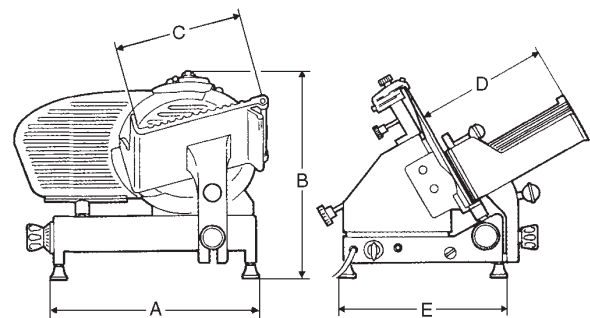
The built-in sharpener is simple and safe to operate.



Precision adjustment of slice thickness.

SPECIFICATIONS

	220	250	300
Dimensions (mm)			
Width	360	420	450
Depth	460	540	600
Height	350	350	400
Blade (mm)	220	250	300
Power	150W	180W	220W
240V single phase motor	50Hz		
Operating Temp Range	+5°C - +40°C		
Net weight (kg)	12.5	15	23
Max. Slice thickness (mm)	15		
IP Rating	21		



GPR220



GPR250



GPR300

CE Approved



Brice Australia Pty. Ltd. ABN 71 413 589 669
100% Australian owned and operated
Copyright ©2017 Brice Australia Pty. Ltd.

BRICE HEAD OFFICE:
11 Holloway Drive,
Bayswater, Victoria 3153 Australia

Ph: 1300 664 880
www.briceaust.com.au
email: info@briceaust.com.au