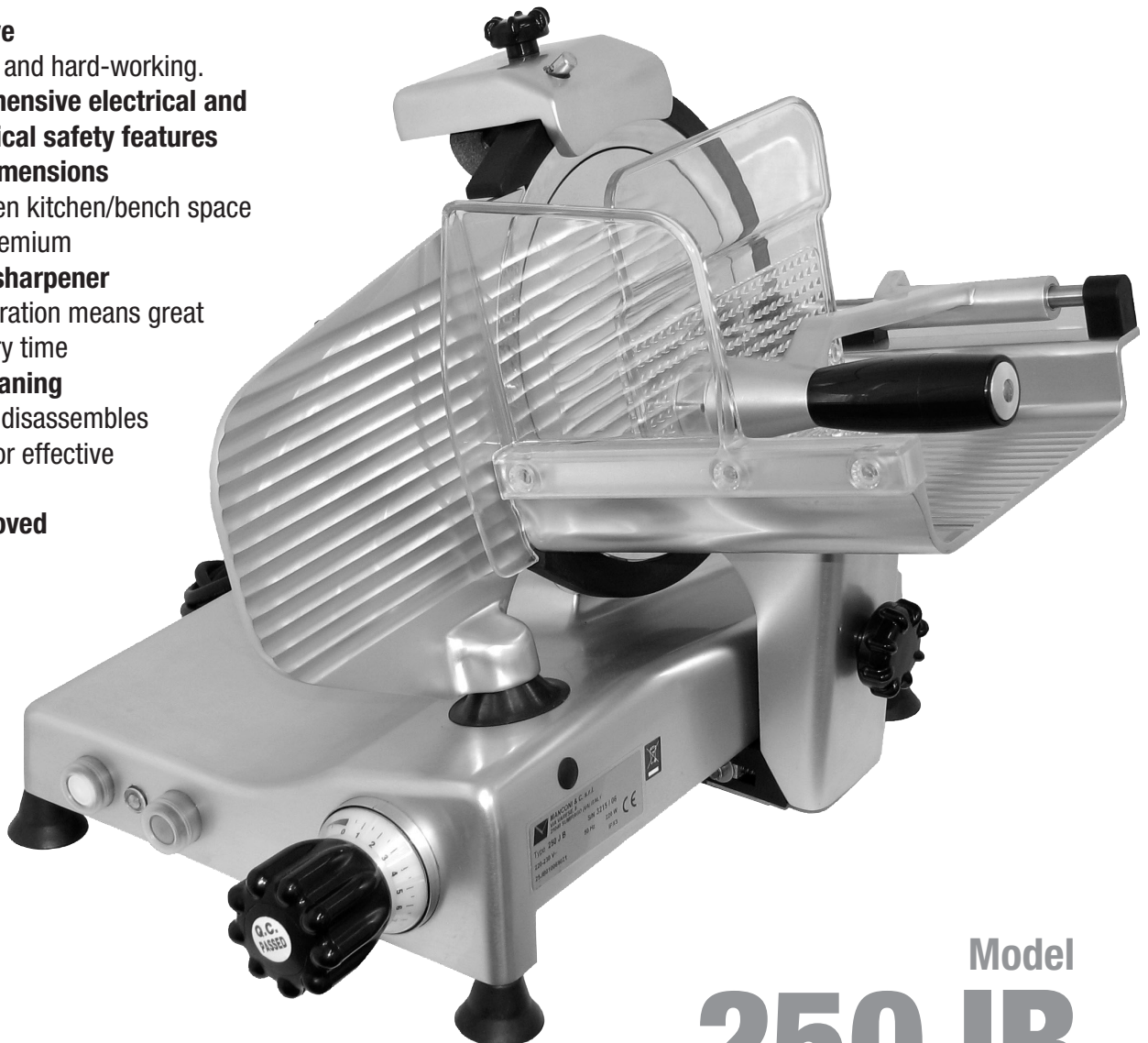


Brice™

The Model 250JB gravity-feed manual slicer is a heavy duty, small capacity machine designed for slicing a range of meat products. The slicer's small dimensions make it ideal for busy small to medium sized restaurants, delicatessens, meatrooms and sandwich shops.

- **Belt Drive**
Powerful and hard-working.
- **Comprehensive electrical and mechanical safety features**
- **Small dimensions**
Ideal when kitchen/bench space is at a premium
- **Built in sharpener**
Easy operation means great cuts every time
- **Easy cleaning**
Machine disassembles quickly for effective cleaning
- **CE approved**



Heavy Duty; Belt-driven; Manual Operation

Model
250JB
Gravity-feed Slicers

Model 250JB Gravity-feed Slicers

CE Approved

The heavy duty Model 250JB Gravity-feed slicer has been designed to handle meats of all kinds. Its small size makes it an excellent choice for small kitchens.

- Manufactured in stainless steel and anodised aluminium to resist the corrosive effects of salts and acids;
- Constructed for easy and friendly cleaning;
- Micrometric adjusting knob allows for cutting of slices up to 16mm;
- Built-in dual action sharpener ensures a long lasting razor sharp knife;
- Forced ventilation to motor;
- Belt driven blade uses super-quiet Poly-V drive belt;
- Full-shield blade ring guard for operator safety;
- Safety cutout switches for motor overload.



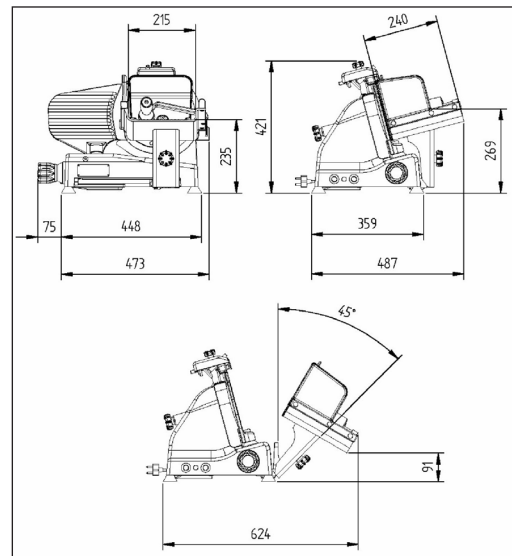
The built-in sharpener is simple and safe to operate.



There's plenty of room for slice collection, despite the 250JB's small dimensions.

SPECIFICATIONS

| | |
|---------------------------|-------------|
| Blade (mm) | 250 |
| Motor 240V single phase, | 50Hz, 220W |
| Dimensions WxDxH (mm) | 487x548x421 |
| Slice Capacity | |
| Rectangular (mm) | 215x180 |
| Circular/Diameter (mm) | 180 |
| Max. Slice thickness (mm) | 16 |
| Net weight (kg) | 24 |



Brice Australia Pty. Ltd. ABN 71 413 589 669
100% Australian owned and operated
Copyright ©2017 Brice Australia Pty. Ltd.

BRICE HEAD OFFICE:
11 Holloway Drive,
Bayswater, Victoria 3153 Australia

Ph: 1300 664 880
www.briceaust.com.au
email: info@briceaust.com.au