

Brice™

Professional grater for heavy duty production. Ideal for grating Parmesan and other hard cheeses, bread and almonds. Compact, reliable, easy to clean and user friendly. Suitable for use in restaurants, canteens, community centres, delicatessens, pizzerias, and fast food outlets.

- **Stainless steel construction**  
AISI 304 stainless steel casing;  
Punched stainless steel roller
- **Anti-clogging design**  
Large inlet and grid-free outlet.
- **Comprehensive electrical and mechanical safety features**
  - Receiving tub fitted with magnetic sensor and shield for added operator safety;
  - Low voltage (24 V) N.V.R.
  - Start and Stop buttons;
  - Safety interlock switch on inlet chute.
- **Workhorse power**  
Powerful motor with electronic brake
- **CE approved**



Heavy Duty; Direct Drive; Manual Operation

Model  
**CEGF**  
Cheese Grater

# Model CEGF Cheese Grater

The Model CEGF Grater has been designed for grating hard cheeses of all kinds, and copes particularly well with nuts and breads.

With its large capacity inlet and outlet, powerful motor and comprehensive safety features, the versatile CEGF Series can handle hard work with ease.

- Manufactured in AISI 304 stainless steel, with a punched stainless steel roller;
- Large inlet and grid-free outlet for clog-free operation;
- Container fitted with safety cut-out sensor and shield;
- Powerful 1.5Hp (1120w) motor with electronic brake;
- Low voltage (240V) N.V.R. switching for added operator safety;
- CE Approved;

#### Options:

- Stainless steel container

## SPECIFICATIONS

Motor (240V single phase, 50Hz)	1.5Hp (1120w)
Motor RPM	1,400

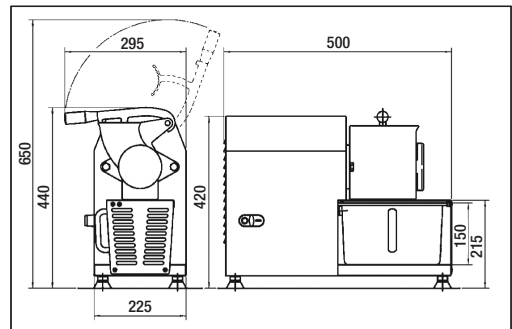
#### Dimensions (mm)

WxDxH	500x295x650
-------	-------------

#### Production capacity

kg/hr (kg/min)	130 (2.7)
----------------	-----------

Net weight (kg)	26
-----------------	----



The large inlet makes handling large food pieces a breeze.



The optional stainless steel receiving tub.



Brice Australia Pty. Ltd. ABN 71 413 589 669  
100% Australian owned and operated  
Copyright ©2017 Brice Australia Pty. Ltd.

**BRICE HEAD OFFICE:**  
11 Holloway Drive,  
Bayswater, Victoria 3153 Australia

**Ph: 1300 664 880**  
[www.briceaust.com.au](http://www.briceaust.com.au)  
email: [info@briceaust.com.au](mailto:info@briceaust.com.au)