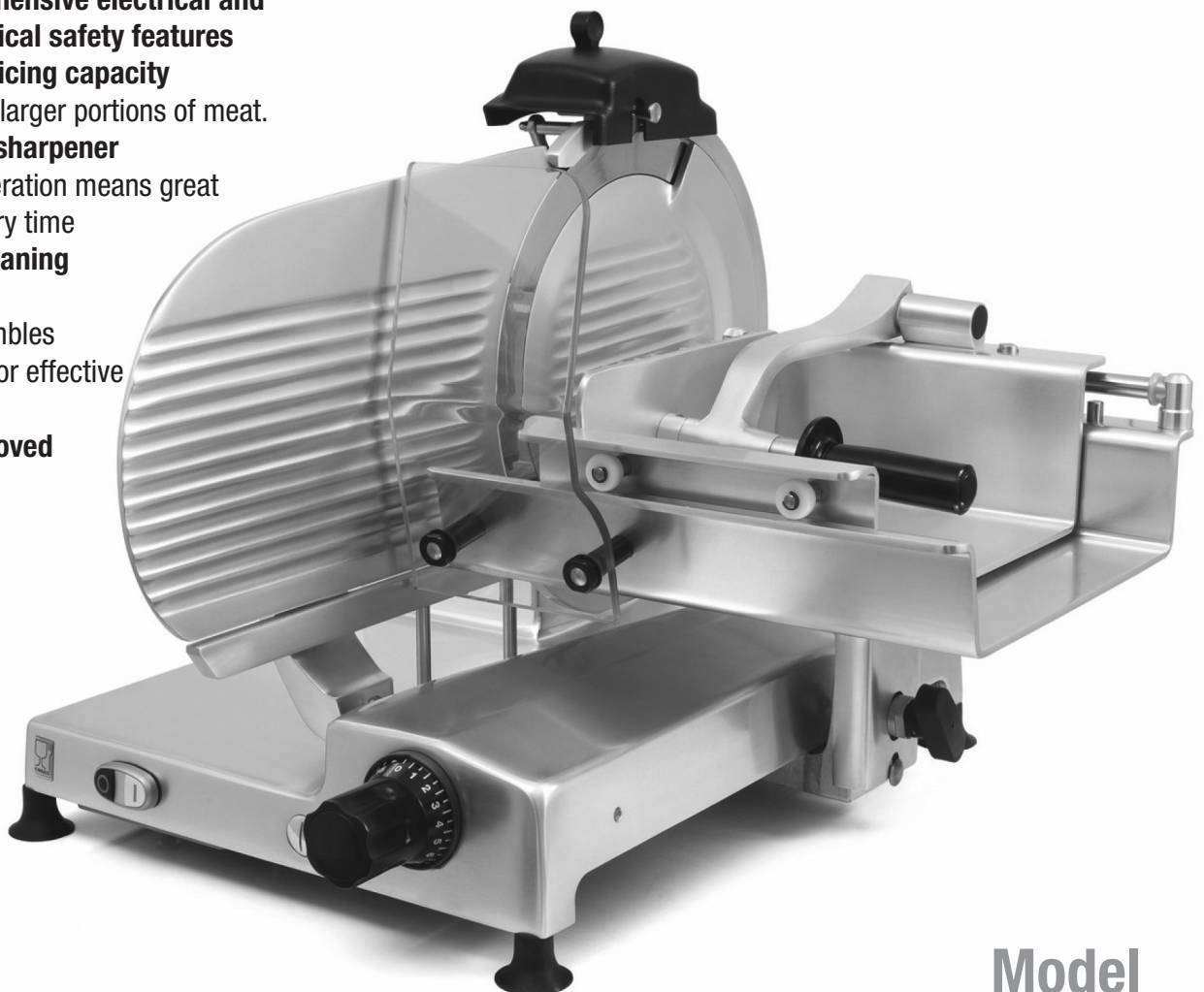




A workhorse vertical slicer that's ideal for slicing fresh and processed meats, thanks to the liftable double plate product tray. A heavy duty belt-driven motor makes slicing a breeze.

- **Belt drive**
Powerful, heavy duty operation with fan-cooled motor for continuous service
- **Comprehensive electrical and mechanical safety features**
- **Large slicing capacity**
Ideal for larger portions of meat.
- **Built in sharpener**
Easy operation means great cuts every time
- **Easy cleaning**
Machine disassembles quickly for effective cleaning
- **CE approved**



Model

BEM35/37

"Black Edition" Vertical Slicer



Heavy Duty; Belt-driven; Manual Operation

Model BEM35/37 Vertical Slicer



Large double-carriage meat tray



The integrated and removable sharpening device is simple and safe to operate



Moisture-proof, low-voltage micro-switches control the machine

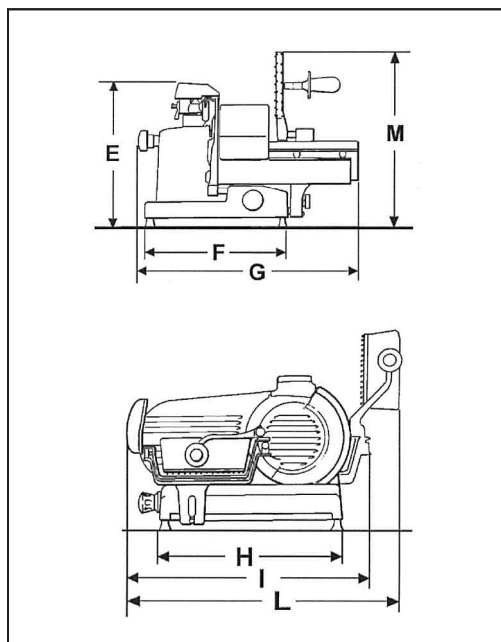
The Model BEM35/37 “Black Edition” Flatbed slicer has been designed especially for slicing fresh meats of all kinds, and copes particularly well with larger portions.

With its large capacity meat table, the versatile BEM can handle any meat product – from small salami and sausages, up to full size sides of bacon.

- Manufactured in stainless steel and anodised aluminium to resist the corrosive effects of salts and acids;
- Constructed for easy and friendly cleaning;
- Micrometric adjusting knob allows for cutting of slices up to 22mm;
- integrated and removable sharpening device;
- Forced ventilation to motor;
- Belt driven blade;
- Safety cutout switches for blade operation and blade cover.

SPECIFICATIONS

	BEM35	BEM37
Blade (mm)	350	370
240V single phase motor	250W, 50Hz	270W, 50Hz
Dimensions		
Width (G) (mm)	710	710
Depth (L) (mm)	910	910
Height (M) (mm)	680	680
Slice Capacity		
Rectangular (mm)	320 x 260 (h)	320 x 280 (h)
Circular (mm)	260 (diameter)	280 (diameter)
Max. Slice thickness (mm)	25	25
Net weight (kg)	41	42



Brice Australia Pty. Ltd. ABN 71 413 589 669
100% Australian owned and operated
Copyright ©2017 Brice Australia Pty. Ltd.

BRICE HEAD OFFICE:
11 Holloway Drive,
Bayswater, Victoria 3153 Australia

Ph: 1300 664 880
www.briceaust.com.au
email: info@briceaust.com.au