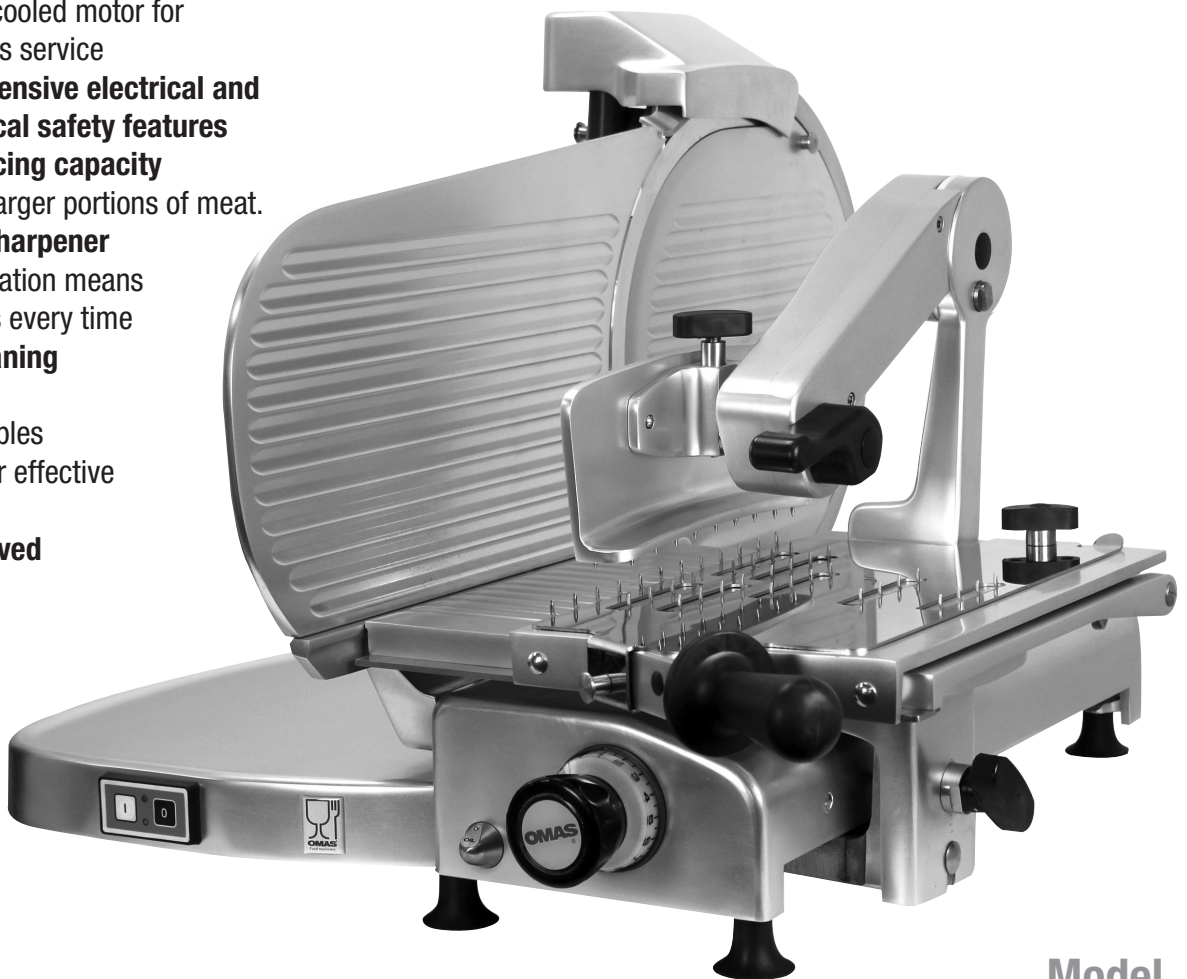


Brice™

The L Series flatbed manual slicers are heavy duty, large capacity machines designed for slicing cured meats. The powerful motor and gear-driven blade mean the L Series can operate in even the busiest high-volume commercial kitchen or delicatessen.

- **Gear Drive**
Powerful, heavy duty operation with fan-cooled motor for continuous service
- **Comprehensive electrical and mechanical safety features**
- **Large slicing capacity**
Ideal for larger portions of meat.
- **Built in sharpener**
Easy operation means great cuts every time
- **Easy cleaning**
Machine disassembles quickly for effective cleaning
- **CE approved**



Model

L Series

Flatbed Slicers



Heavy Duty; Gear-driven; Manual Operation

Model L Series Flatbed Slicers

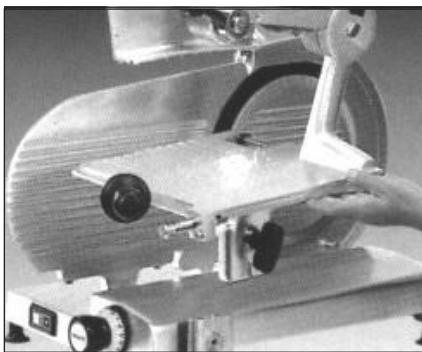
SPECIFICATIONS

L37S

Blade (mm)	370
Power	350W
240V single phase	50Hz
Dimensions (mm)	
Width	710
Depth	840
Height	650
Slice Capacity	
Rectangular (mm)	320x280
Circular/Diameter (mm)	280
Max. Slice thickness (mm)	14
Net weight (kg)	56



The built-in sharpener is simple and safe to operate.



The complete meat table can be quickly removed for easy cleaning.

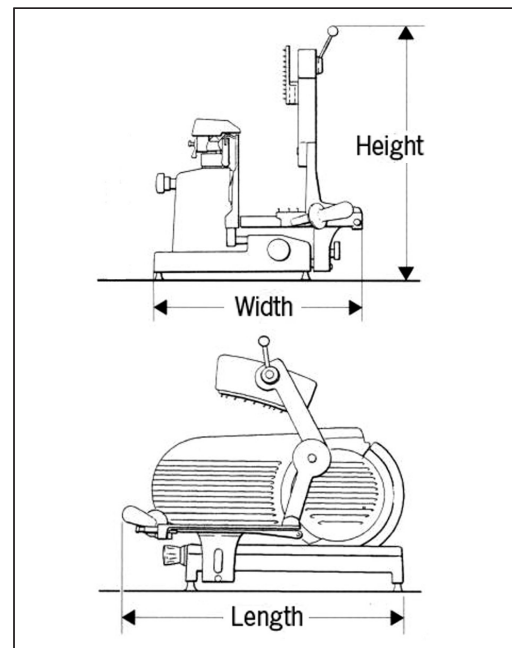
The Model L Flatbed slicer has been designed especially for slicing cured meats of all kinds, and copes particularly well with larger portions.

With its large capacity meat table, the versatile L Series can handle any cured meat product, no matter how big the piece.

- Manufactured in stainless steel and anodised aluminium to resist the corrosive effects of salts and acids;
- Constructed for easy and friendly cleaning;
- Micrometric adjusting knob allows for cutting of slices up to 14mm (option for 25mm slice – refer to Option 6);
- Built-in dual action sharpener ensures a long lasting razor sharp knife;
- Forced ventilation to motor;
- Gear driven blade;
- Also available:
L25E (250mm blade)
L30E (300mm blade)
L35S (350mm blade)

Options:

- 6** Slice cutting to 25mm
- 8** Portioner: weight indicator
- 16** Digital slice counter
- 56** Receding feet
- 57** High feet
- 63** Stainless steel removable tray
- 90** Guarded, auto-locking blade removal device
- 97** Teflon coating (thickness plate, blade and blade cover)



Brice Australia Pty. Ltd. ABN 71 413 589 669
100% Australian owned and operated
Copyright ©2017 Brice Australia Pty. Ltd.

BRICE HEAD OFFICE:
11 Holloway Drive,
Bayswater, Victoria 3153 Australia

Ph: 1300 664 880
www.briceaust.com.au
email: info@briceaust.com.au