



The VA2000 programmable fully automatic food slicer is fast, clean and efficient, ideal for large kitchens, delicatessens and processed meat works.



Model
VA2000
 Automatic Food Slicer



Heavy Duty Continuous; Gear-driven/Chain-driven; Fully-automatic

Model VA2000 Automatic Food Slicer

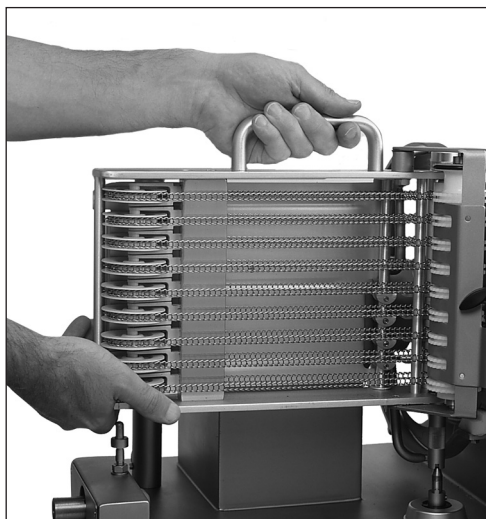
The Model VA2000 food slicer is built for high volumes and hard work. It is fully automatic, fast, clean and efficient.

Besides slicing food products, it collects the slices on a product receiving tray in either vertical stacks or single layer shingling.

Depending on the product width, two or more pieces may be loaded on the meat table for one slice operation, increasing productivity.

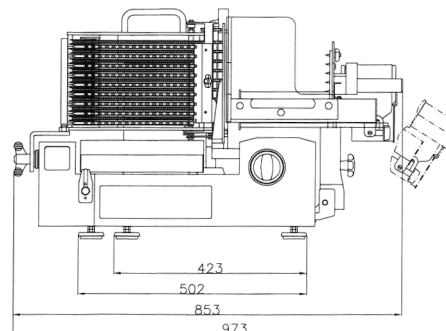
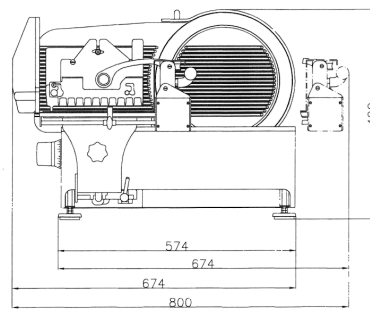
- Manufactured in stainless steel to resist the corrosive effects of salts and acids;
- Fully automatic slicing and stacking operations;
- Combined End Piece Holder and Meat Comb to minimise slicing waste;
- Complete self contained inbuilt sharpening device;
- Chain driven blade and fan-cooled motor;
- Safety cutout switches for sharpener and blade cover;
- Separate push-button ON, OFF and START switches for safety.

The unit is easily disassembled for cleaning and maintenance.



SPECIFICATIONS

Blade (mm)	300
Overall Dimensions (mm)	
Width	853
Depth	800
Height	490
Single (240V) phase or three (415V) phase motor power requirement (W)	600
Net weight (kg)	75
Slice Capacity	
Height (mm)	195
Length (mm)	255
Max. Slice thickness (mm)	10



Brice Australia Pty. Ltd. ABN 71 413 589 669
100% Australian owned and operated
Copyright ©2017 Brice Australia Pty. Ltd.

BRICE HEAD OFFICE:
11 Holloway Drive,
Bayswater, Victoria 3153 Australia

Ph: 1300 664 880
www.briceaust.com.au
email: info@briceaust.com.au