



THERMOWRAP is a compact, bench top shrink wrapping machine suitable for medium packaging requirements.



Model

# THERMOWRAP

Heat Shrink Wrapping Machine



Medium Duty; Semi-Automatic; CE Approved

# Model THERMOWRAP

## Heat Shrink Wrapping Machine

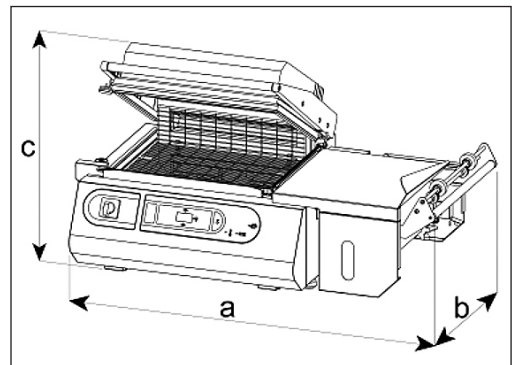
THERMOWRAP is a compact, bench top shrink wrapping machine suitable for medium packaging requirements.

The main features of the THERMOWRAP are:

- High reliability and performance.
- Low consumption and easy to use.
- All the functions are displayed and controlled on the digital control panel.
- THERMOWRAP is in compliance with the most recent security and hygienic directives.
- Sealing only and sealing-shrinking functions
- Teflon-coated sealing bar
- Display with 6 selectable programs
- Oversized roll support suitable for standard cellophane rolls
- CE Approved.

### ***SPECIFICATIONS***

Sealing Bar	380 x 250mm
Max. Product Dim. (mm)	350 x 240 x 140
<b>Dimensions (mm)</b>	
Width (A)	930
Depth (B)	550
Height (C with hood open)	580
Power 230V	1200w
Max. Roll Size Diameter (mm)	250
Max. Roll Width (mm)	350
Net weight (kg)	36



Brice Australia Pty. Ltd. ABN 71 413 589 669  
100% Australian owned and operated  
Copyright ©2017 Brice Australia Pty. Ltd.

**BRICE HEAD OFFICE:**  
11 Holloway Drive,  
Bayswater, Victoria 3153 Australia

**Ph: 1300 664 880**  
**www.briceaust.com.au**  
**email: info@briceaust.com.au**