

INTRODUCING THE ALL NEW

Berkel

Home Line 200



"The quality of a professional slicing experience."

Home Line - A Revolution in the world of electric slicers

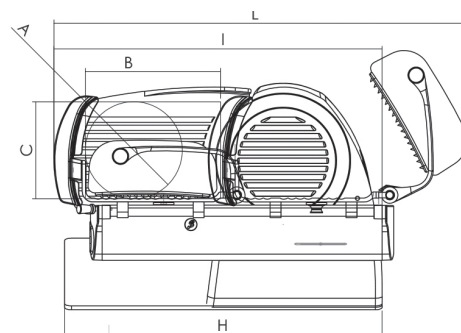
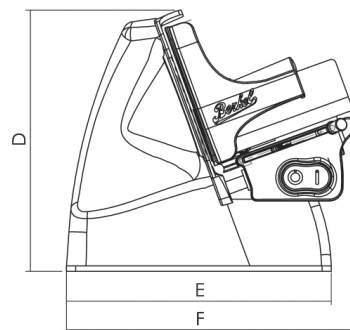
Home Line 200

Home Line 200 is the culmination of know-how from the team of Berkel engineers, functionality requirements and high safety standards. Home Line 200 has been developed from professional Berkel slicer technology. It guarantees unbeatable performance and safety levels: the chrome-plated steel blade with professional profile ensures the perfect cut, uniform slices and reduced waste.

The absence of sharp edges coupled with specific features (such as the space for the collection of small pieces of food scrap and opening plate), ensures that perfect cleaning is fast and simple.

Features:

- Extremely compact in size
- Special aluminium alloy structure
- Food grade aluminium blade cover
- Chromed steel blade with professional profile reduces waste and ensures even slices
- Professional motor for amazing results
- Slices up to 20mm with millimetre accuracy
- Blade cover can easily be removed for perfectly simple fast cleaning thanks to an automatic blade cover removal system
- Inclined meat carriage for effortless cutting
- Professional push-button panel with LED indicators
- Meat carriage tilts for easy cleaning
- Blade removal unit included.



Specifications:	HL200
Blade Diameter	195mm
Maximum Slice Thickness	20mm
Size: Width (F) x Depth (I) x Height (D) (mm)	318 x 470 x 284
Cutting Capacity Round	140mm
Cutting Capacity Rectangle mm	200 x 140 H
Motor 240V	190W
Weight	12.5kg

Sold, maintained and serviced in Australia by:



Brice Australia Pty. Ltd. ABN 71 413 589 669
100% Australian owned and operated
Copyright ©2018 Brice Australia Pty. Ltd.

BRICE HEAD OFFICE:
11 Holloway Drive,
Bayswater, Victoria 3153 Australia



Ph: 1300 664 880
www.briceaust.com.au
email: info@briceaust.com.au