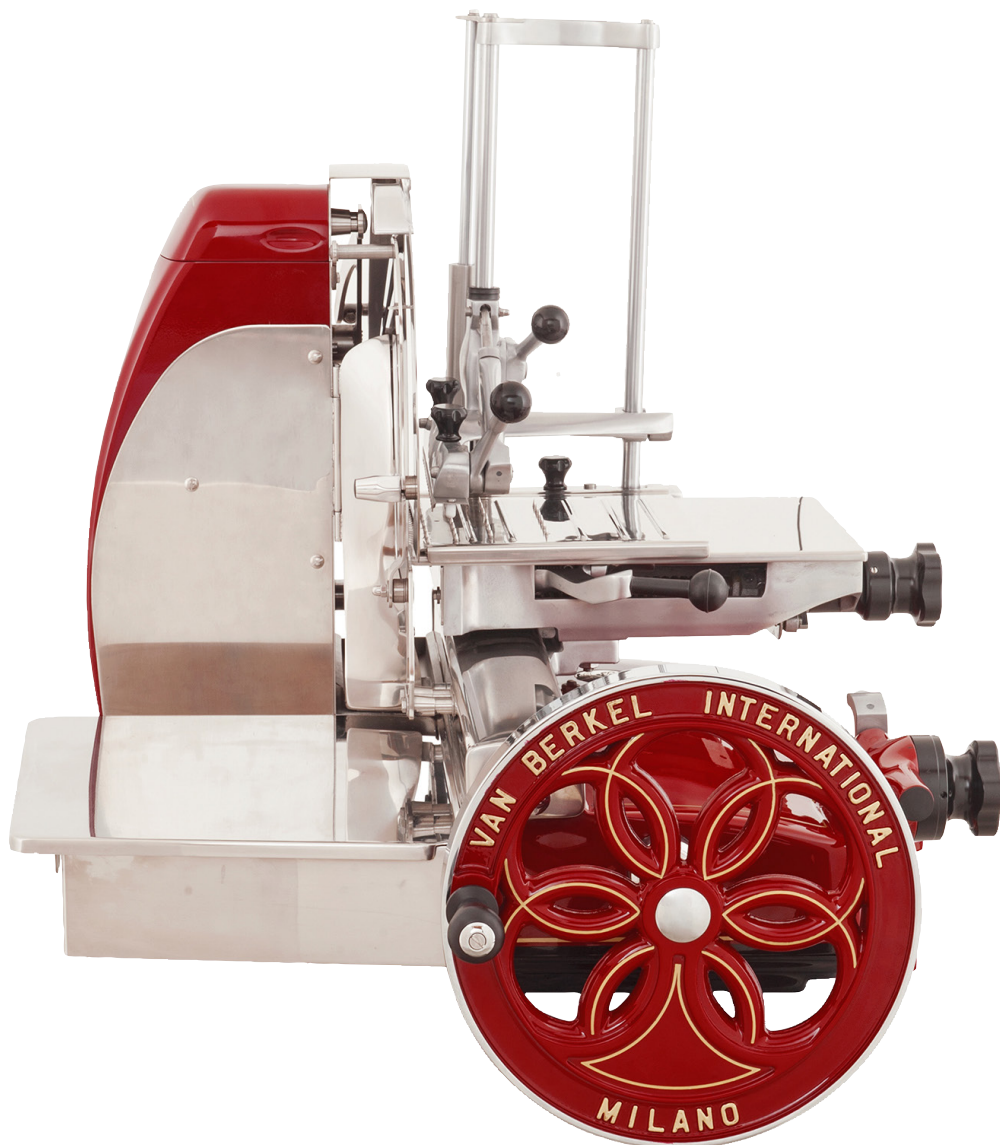




The Volano B116 Vintage Flywheel Slicer is craftsman-built to the highest standard using high quality modern materials and fitted with safety features.



Model
B116
Flywheel Slicers



Hand Powered

Model B116 Flywheel Slicer

CE Approved

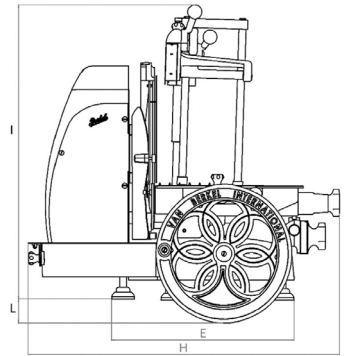
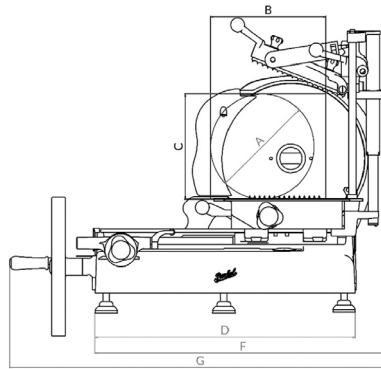
The Volano B116 Flywheel Slicer is an unpowered hand operated precision slicer.

- Quality unpowered flywheel slicer with 370mm blade
- Stunning Vintage flower design flywheel
- Constructed from aluminium and stainless steel with a high gloss red or black finish
- Fully incorporated sharpening device
- Slice thickness: 0-4mm
- Blade ring guard
- Optional extra: High gloss enamel vintage style stand.

B116

Dimensions

WxDxH (mm):	780x960x720
Pedestal Stand (mm):	570x620x870
Slice Thickness (mm):	0-4
Blade (mm):	370
Product Cutting Capacity:	
Rectangle (mm):	290x260
Round (mm):	260
Slicer Weight (kg):	80
Stand Weight (kg):	53



Brice Australia Pty. Ltd. ABN 71 413 589 669
100% Australian owned and operated
Copyright ©2018 Brice Australia Pty. Ltd.

BRICE HEAD OFFICE:
11 Holloway Drive,
Bayswater, Victoria 3153 Australia

Ph: 1300 664 880
www.briceaust.com.au
email: info@briceaust.com.au