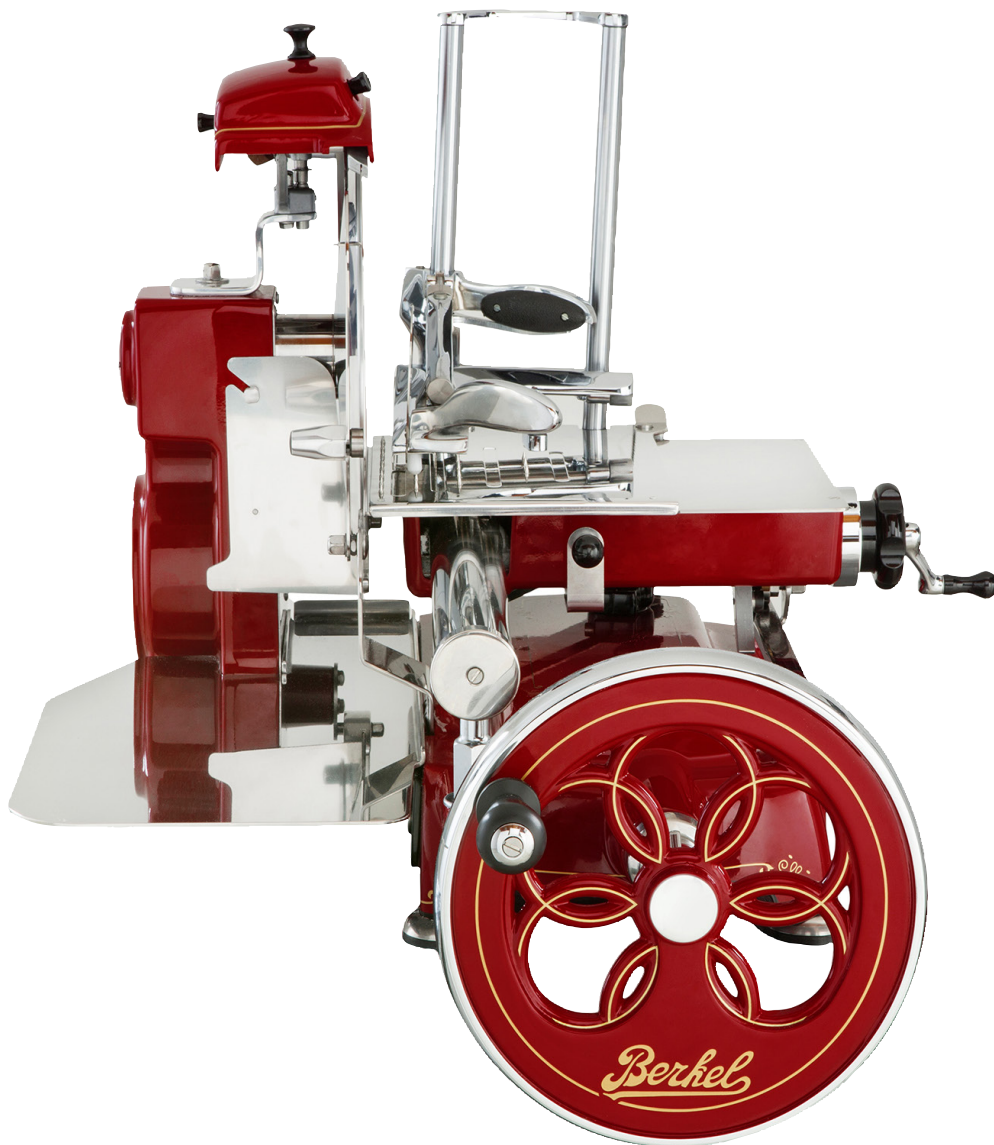




The Volano Tribute Vintage Flywheel Slicer is craftsman-built to the highest standard using high quality modern materials and fitted with safety features.



Model

Tribute
Flywheel Slicers



Hand Powered

Model Tribute

Flywheel Slicer

CE Approved

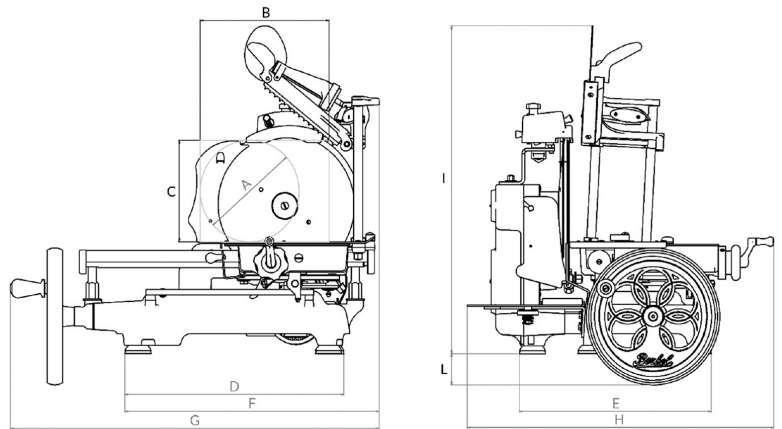
The Volano Tribute Flywheel Slicer is an unpowered hand operated precision slicer.

- Quality unpowered flywheel slicer with 300mm blade
- Stunning Vintage flower design flywheel
- Constructed from aluminium and stainless steel with a high gloss red or black finish
- Fully incorporated sharpening device
- Slice thickness: 0-1.5mm
- Blade ring guard
- Optional extra: High gloss enamel vintage style stand.

Tribute

Dimensions

| | |
|---------------------------|-------------|
| WxDxH (mm): | 670x805x700 |
| Pedestal Stand (mm): | 580x780 |
| Slice Thickness (mm): | 0-1.5 |
| Blade (mm): | 300 |
| Product Cutting Capacity: | |
| Rectangle (mm): | 270x210 |
| Round (mm): | 210 |
| Slicer Weight (kg): | 52 |
| Stand Weight (kg): | 45 |



Brice Australia Pty. Ltd. ABN 71 413 589 669
100% Australian owned and operated
Copyright ©2018 Brice Australia Pty. Ltd.

BRICE HEAD OFFICE:
11 Holloway Drive,
Bayswater, Victoria 3153 Australia

Ph: 1300 664 880
www.briceaust.com.au
email: info@briceaust.com.au