



The SLC range of heavy duty gear driven slicers are ideal for medium to large sized shops, restaurants, caterers, delicatessans and kitchens.



Model  
**SLC300/330/350**

**Gear Driven Slicers**

(Previously OMAC30E/C35E)



Heavy Duty; Gear driven; Manual Operation

# Model SLC300/330/350

## Gear Driven Slicers

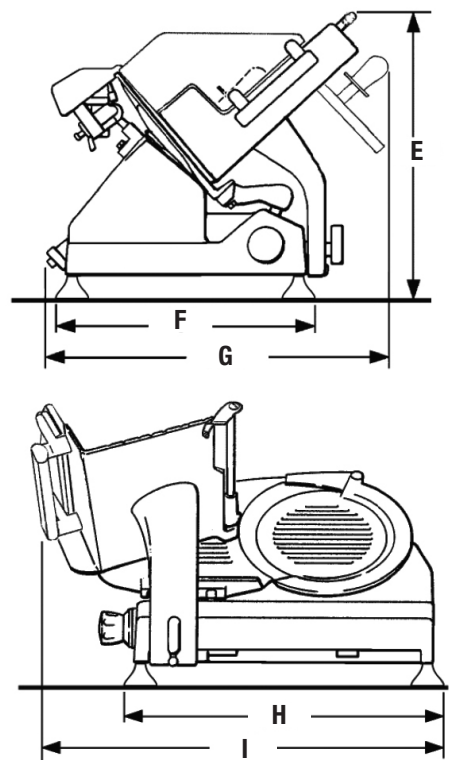
CE Approved

The SLC range of gear driven slicers takes the hard work out of slicing and are perfect for medium to large sized kitchens, restaurants, delicatessans or catering businesses.

- Manufactured in anodised aluminium to resist the corrosive effects of salts and acids;
- Large product holder;
- Constructed for easy cleaning;
- Adjusting knob allows for cutting of slices from 0mm up to 14mm;
- Built-in blade sharpener;
- Gear driven blade;
- Blade ring guard;
- Removable product carriage when the slice thickness control is set to zero;
- Safety switch on centreplate;
- CE Approved.

## SPECIFICATIONS

| Model                        | SLC300    | SLC330    | SLC350    |
|------------------------------|-----------|-----------|-----------|
| Blade (mm)                   | 300       | 330       | 350       |
| Power                        | 300W      | 300W      | 350W      |
| 240V single phase            | 50Hz      | 50Hz      | 50Hz      |
| Footprint (FxH) WxD          | 450x580   | 450x580   | 450x580   |
| Width mm (G)                 | 650       | 720       | 720       |
| Depth mm (I)                 | 700       | 740       | 730       |
| Height mm (E)                | 530       | 510       | 510       |
| Slicing Capacity (mm) (rect) | 260 x 150 | 280 x 170 | 260 x 190 |
| Slicing Capacity (mm) (diam) | 210       | 240       | 250       |
| Net weight (kg)              | 41        | 43        | 43        |
| Max. Slice thickness (mm)    | 14        | 14        | 14        |
| IP Rating                    | 65        | 65        | 65        |



Brice Australia Pty. Ltd. ABN 71 413 589 669  
100% Australian owned and operated  
Copyright ©2019 Brice Australia Pty. Ltd.

**BRICE HEAD OFFICE:**  
11 Holloway Drive, Bayswater,  
Victoria 3153 Australia

**Ph: 1300 664 880**  
**www.briceaust.com.au**  
**email: info@briceaust.com.au**



BA635.SLC.RANGE.12/19