



The B116SA Semi-Auto Vintage Flywheel Slicer is craftsman-built to the highest standard using high quality modern materials and fitted with safety features.



Heavy Duty; Semi-Auto Operation

Model
BKL-B116SA
Flywheel Slicer

Model BKL-B116SA

Flywheel Slicer

CE Approved

The BKL-B116SA is a semi-automatic traditional flywheel slicer capable of precision slicing.

- Quality semi-automatic flywheel slicer with 370mm blade
- Constructed from aluminium and stainless steel with a high gloss red or black finish
- Fully incorporated sharpening device
- Slice thickness: 0-7mm
- Blade ring guard
- Optional extra: High gloss enamel vintage style stand.

B116A

Dimensions

WxDxH (mm): 780 x 960 x 720

Pedestal Stand Height (mm): 870

Slice Thickness (mm): 0-7

Blade (mm): 370

Power 750 watts

240v single phase motor 50Hz

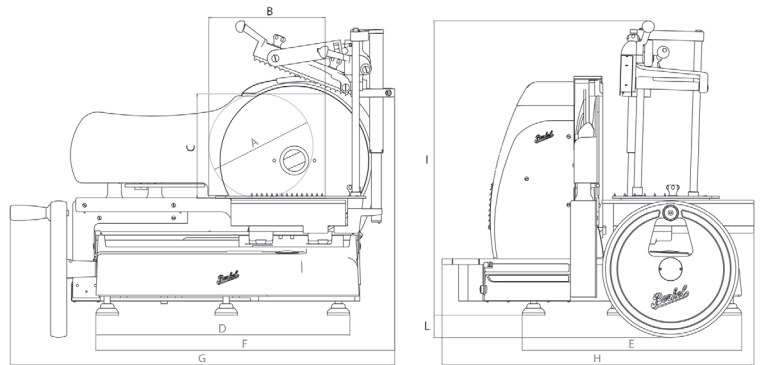
Product Cutting Capacity:

Rectangle (mm): 290x260

Round (mm): 260

Slicer Weight (kg): 100

Stand Weight (kg): 53



Brice Australia Pty. Ltd. ABN 71 413 589 669
100% Australian owned and operated
Copyright ©2020 Brice Australia Pty. Ltd.

BRICE HEAD OFFICE:
11 Holloway Drive, Bayswater,
Victoria 3153 Australia

Ph: 1300 664 880
www.briceaust.com.au
email: info@briceaust.com.au

