



The Lamderby270 and the Lamderby410 pack and seal food products in pouches.



Models
LAMDERBY270/410



Semi-Automatic; Manual Operation; CE Approved

Vacuum Packers

Model LAMDERBY270/410 Vacuum Packers

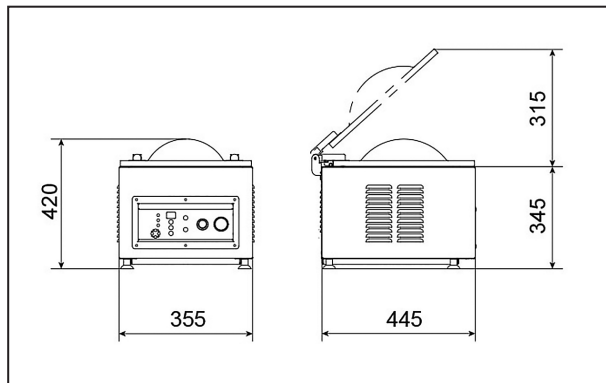
These vacuum packing machines pack and seal food products in pouches. The body and chamber are constructed of stainless steel and has a clear heavy duty sealing lid.

- Sealing bar is removeable for cleaning;
- Variable vacuum setting;
- Digital display for time and sealing times;
- CE Approved.

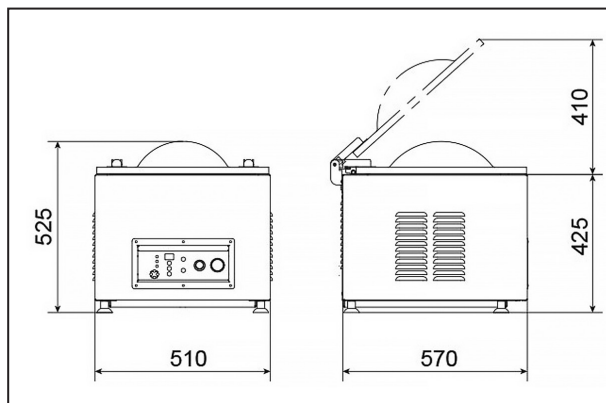
SPECIFICATIONS

	Derby270	Derby410
Sealing Bar	270mm	410mm
Pump Supplied	6mc/h	20mc/h
Overall Dimensions (mm)		
Width	355	510
Depth	445	570
Height	420	525
Chamber Dimensions (mm)		
Width	280	435
Depth	330	455
Height	95+60	115+60
Power	0.35HP, 250w	1HP, 750w
Net weight (kg)	35	80

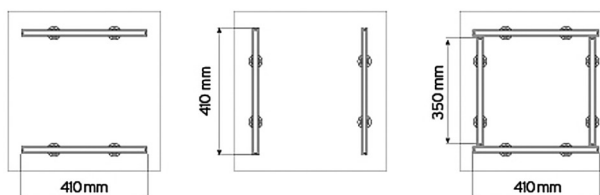
Lamderby270



Lamderby410



OPTIONAL SEALING BARS CONFIGURATIONS FOR LAMDERBY 410



Brice Australia Pty. Ltd. ABN 71 413 589 669
100% Australian owned and operated
Copyright ©2020 Brice Australia Pty. Ltd.

BRICE HEAD OFFICE:
11 Holloway Drive, Bayswater,
Victoria 3153 Australia

Ph: 1300 664 880
www.briceaust.com.au
email: info@briceaust.com.au

